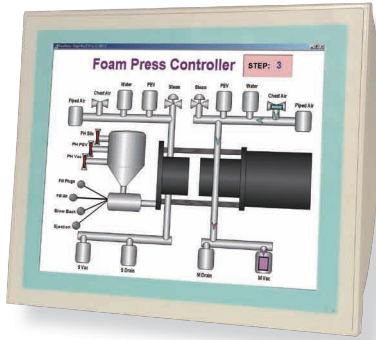




T1560

15" AMD® LX900 Ultra Slim Panel PC



Features

- Soldered Onboard AMD® LX900 600MHz CPU
- 15" 1024 x 768 XGA Color TFT LCD Display
- Super Slim and Compact Mechanical Design
- S.D.R. (Smart Data Recovery) Design
- Isolated Serial Ports (RS-232/422/485)
- Flush Front Panel NEMA4/IP65 Compliant
- PC/104 Expansion Bus
- Compatible with OPC and SCADA Application Software
- Fanless Design
- Wide Range DC Input

System

CPU	Soldered onboard AMD® LX900 600MHz CPU
Memory	1 x 200-pin DDR SO-DIMM Socket up to 1GB at 200MHz
	Soldered onboard 512KB FRAM for S.D.R.
Chipset	AMD® LX900 + CS5536
LAN	1 x Realtek RTL8110SCL 10/100/1000Base-T
Watchdog Timer	Programmable as 250ms, 500ms, 1 second

Storage

HDD/Type	1 x 2.5" drive bay for SATA HDD/SSD
Flash Disk	1 x CompactFlash Type II Socket

LCD Display

Size/Type	15" TFT LCD
Max. Resolution	1024 x 768, XGA
Backlight Life	50,000 hours
Luminance	350 cd/m ²
Max. Colors	262,144

Touch Screen

Type	8-wire, Analog resistive
Light Transparency	Above 80%
Lifespan	10 million touches at single point

I/O

Serial Port	3 x Isolated RS-232 ports 1 x Isolated RS-422/485 port (with optical isolation design of 3.75KV)
USB Port	2 x USB 2.0 (Host)
KB/MS	1 x PS2 Keyboard and Mouse
Expansion Bus	1 x PC/104

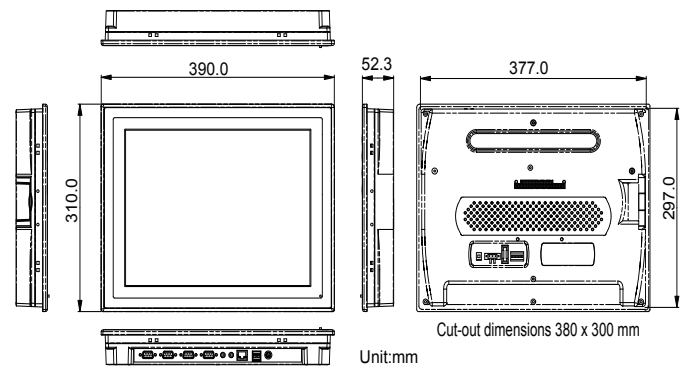
Power System

Connector	One ME-050 3-pin DC jack for power adapter
Power Input	DC 9 ~ 33V
Power Consumption	30W

Mechanical & Environmental

Operating Temp.	0 ~ 50°C (32 ~ 122°F)
Storage Temp.	-20 ~ 60°C (-4 ~ 140°F)
Operating Humidity	10 ~ 95% RH @40°C (non-condensing)
Ingress Protection	Front panel: NEMA4, IP65
Vibration Protection	1 Grms (with CF or SSD)
Dimensions (W x D x H)	390 x 52.3 x 310 mm (15.35" x 2.06" x 12.2")
Weight (Net)	4.4 kg (9.7 lb)
Enclosure	Aluminum (Front Panel), PC + ABS (Bezel)

Dimensions



Ordering Information

T1560-E	15" AMD® LX900 ultra slim fanless touch panel computer barebone w/o FRAM, isolated COM and memory
T1560	T1560-E with FRAM, Isolated COM, 512MB SDRAM
VMB-1560	T1560/T1561 VESA mount bracket kit
ARM-934	VESA-75/100 desktop LCD monitor stand
PAC-P065W	65W AC/DC adapter kit

All specifications are subject to change without notice.

Computer on Module

Compact Board

Slot Board

Industrial Motherboard

Wide Temperature

SBC Daughterboard Power Converter Mounting Kit

Rugged Tablet PC

Medical PC

Industrial Panel PC/Monitor

Box PC

Industrial Chassis / Backplane / Power supply