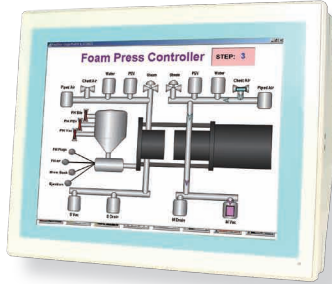




T1261

12.1" Intel® Atom™ N270 Ultra Slim Panel PC



Features

- Soldered Onboard Intel® Atom™ N270 1.6GHz CPU
- 12.1" 800 x 600 SVGA Color TFT LCD Display
- Super Slim and Compact Mechanical Design
- S.D.R. (Smart Data Recovery) Design
- Isolated Serial Ports (RS-232/422/485)/CAN-BUS
- Flush Front Panel For NEMA4/IP65 Compliance
- PC/104 Expansion Bus
- Compatible with OPC and SCADA Application Software
- Fanless Design
- Wide Range DC Input

System

CPU	Soldered onboard Intel® Atom™ N270 1.6GHz CPU
Memory	1 x 200-pin DDR2 SO-DIMM Socket up to 2GB at 400/533MHz Soldered onboard 512KB FRAM for S.D.R.
Chipset	Intel® 945GSE + ICH7M
LAN	2 x Realtek RTL8111B 10/100/1000Base-T
Watchdog Timer	Programmable as 250ms, 500ms, 1 second

Storage

HDD/Type	1 x 2.5" drive bay for SATA HDD/SSD
Flash Disk	1 x CompactFlash Type II Socket

LCD Display

Size/Type	12.1" TFT LCD
Max. Resolution	800 x 600, SVGA
Backlight Life	50,000 hours
Luminance	370 cd/m ²
Max. Colors	262,144

Touch Screen

Type	8-wire, Analog resistive
Light Transparency	Above 80%
Lifespan	10 million touches at single point

I/O

Serial Port	2 x Isolated RS-232 ports 2 x Isolated RS-422/485 ports (with optical isolation design of 3.75KV)
Parallel Port	1 x LPT
CAN-Bus Port	1 x CAN-Bus shared with RS-422/485 port
USB Port	2 x USB 2.0 (Host)
KB/MS	1 x PS2 Keyboard and Mouse
Expansion Bus	1 x PC/104

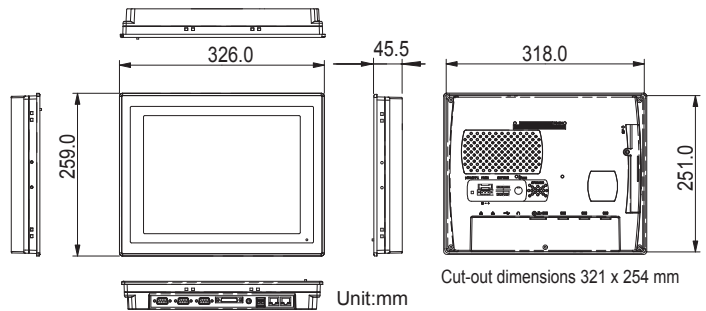
Power System

Connector	One ME-050 3-pin DC jack for power adapter
Power Input	DC 9 ~ 33V
Power Consumption	40W

Mechanical & Environmental

Operating Temp.	0 ~ 50°C (32 ~ 122°F)
Storage Temp.	-20 ~ 60°C (-4 ~ 140°F)
Operating Humidity	10 ~ 95% RH @40°C (non-condensing)
Ingress Protection	Front panel: NEMA4, IP65
Vibration Protection	1 Grms (with CF or SSD)
Dimensions (W x D x H)	326 x 45.5 x 259 mm (12.83" x 1.79" x 10.2")
Weight (Net)	3.2 kg (7.1 lb)
Enclosure	Aluminum (Front Panel), PC + ABS (Bezel)

Dimensions



Ordering Information

T1261-E	12.1" Intel® Atom™ N270 ultra slim fanless touch panel computer barebone w/o FRAM, isolated COM, CAN-BUS and memory
T1261	T1261-E with FRAM, Isolated COM, CAN-BUS, 1GB SDRAM
VMB-1260	T1260/T1261 VESA mount bracket kit
ARM-934	VESA-75/100 desktop LCD monitor stand
PAC-P065W	65W AC/DC adapter kit

All specifications are subject to change without notice.