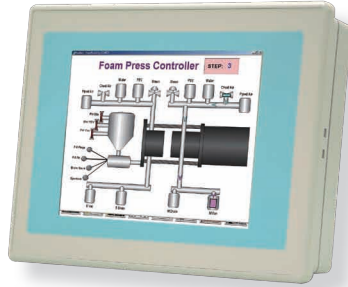




# T0660

5.7" AMD® LX900 Ultra Slim Panel PC



## Features

- Soldered Onboard AMD® LX900 600MHz CPU
- 5.7" 640 x 480 VGA Color TFT LCD Display
- Super Slim and Compact Mechanical Design
- S.D.R. (Smart Data Recovery) Design
- Isolated Serial Ports (RS-232/422/485)/CAN-BUS
- Flush Front Panel NEMA4/IP65 Compliant
- PC/104 Expansion Bus
- Compatible with OPC and SCADA Application Software
- Fanless Design
- Wide Range DC Input

## System

<b>CPU</b>	AMD® LX900 600MHz CPU
<b>Memory</b>	512MB DDR SDRAM SO-DIMM installed Soldered onboard 512KB FRAM for S.D.R.
<b>Chipset</b>	AMD® LX900 + CS5536
<b>LAN</b>	1 x Realtek RTL8110SCL 10/100/1000Base-T
<b>Watchdog Timer</b>	Programmable as 250ms, 500ms, 1 second

## Storage

<b>Flash Disk</b>	1 x CompactFlash Type II Socket
-------------------	---------------------------------

## LCD Display

<b>Size/Type</b>	5.7" TFT LCD
<b>Max. Resolution</b>	640 x 480, VGA
<b>Backlight Life</b>	50,000 hours
<b>Luminance</b>	220 cd/m <sup>2</sup>
<b>Max. Colors</b>	262,144

## Touch Screen

<b>Type</b>	4-wire, Analog resistive
<b>Light Transparency</b>	Above 75%
<b>Lifespan</b>	10 million touches at single point

## I/O

<b>Serial Port</b>	2 x Isolated RS-232 ports 1 x Isolated RS-422/845 port (with optical isolation design of 3.75KV)
<b>CAN-Bus Port</b>	1 x CAN-Bus shared with RS-422/485 port (Optional)
<b>USB Port</b>	2 x USB 2.0 (Host)
<b>KB/MS</b>	1 x PS2 Keyboard and Mouse
<b>Expansion Bus</b>	1 x PC/104

## Power System

<b>Connector</b>	One ME-050 3-pin DC jack for power adapter
<b>Power Input</b>	DC 9 ~ 33V
<b>Power Consumption</b>	20W

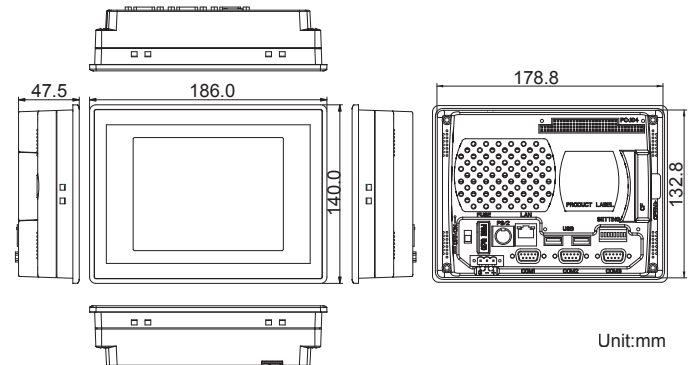
## Mechanical & Environmental

<b>Operating Temp.</b>	0 ~ 50°C (32 ~ 122°F)
<b>Storage Temp.</b>	-20 ~ 60°C (-4 ~ 140°F)
<b>Operating Humidity</b>	10 ~ 95% RH @ 40°C (non-condensing)
<b>Ingress Protection</b>	Front panel: NEMA4, IP65
<b>Vibration Protection</b>	1 Grms
<b>Dimensions (W x D x H)</b>	186 x 47.5 x 140 mm (7.32" x 1.87" x 5.51")
<b>Weight (Net)</b>	0.8 kg (1.8 lb)
<b>Enclosure</b>	PC + ABS

## Optional Features

<b>CAN-Bus Port</b>	1 x CAN-Bus shared with RS-422/485 port
<b>Sunlight Readable Solution</b>	A.L.T.T. (Advanced Low-reflection Touch Technology) Solution

## Dimensions



## Ordering Information

<b>T0660</b>	5.7" AMD® LX900 ultra slim fanless touch panel computer with 512MB SDRAM, without CAN-Bus
<b>T0660-S</b>	T0660 with sunlight readable solution
<b>T0660-E</b>	T0660 without FRAM, Isolated COM, CAN-Bus
<b>T0660-C</b>	T0660-E with CAN-Bus
<b>VMB-0660</b>	T0660 VESA mount bracket (VESA-75)
<b>PAC-P065W</b>	65W AC/DC adapter kit

All specifications are subject to change without notice.