



P1772

17" Intel® Celeron® M 550 Heavy-duty Panel PC

Chassis-mounting

Panel-mounting



Features

- Socket-P Intel® Celeron® M CPU
- 17" 1280 x 1024 SXGA Color TFT LCD Display
- Optional Chassis or Panel Mounting
- Optional Resistive Touch Screen or Tempered Glass
- Multiple Expansion (5 x USB/1 x Mini PCI/1 x CF)
- One Front Bezel Accessible USB Port with Cap
- Compact Design

System

CPU	Intel® Celeron M 550 2.0GHz CPU
Memory	1 x 200-pin DDR2 SO-DIMM Socket up to 2GB at 533/667MHz
Chipset	Intel® GME965 + ICH8M
LAN	2 x Realtek RTL8111B 10/100/1000Base-T
Watchdog Timer	1~255 levels reset

Storage

HDD/Type	1 x 2.5" drive bay for IDE or SATA HDD/SSD
Flash Disk	1 x CompactFlash Type II Socket

LCD Display

Size/Type	17" TFT LCD
Resolution	1280 x 1024, SXGA
Pixel Pitch	0.264 x 0.264 mm
Max. Colors	16M (24-bit)
Luminance	300 cd/m ²

Touch Screen

Type	5-wire, Analog Resistive (P1772-1200-P, P1772-1200-C only)
Resolution	Continuous
Light Transparency	80%
Interface	USB Interface

Power

Requirement	DC 10 ~ 30V
Consumption	5.76A/12V

I/O

Serial Port	2 x RS-232 ports
USB Port	Front: 1 x USB 2.0 port (for panel-mounting type only) Bottom: 4 x USB 2.0 ports
KB/MS	1 x 6-pin Mini-DIN connector for Keyboard and Mouse (PS/2 standard via Y-cable)
LAN	2 x RJ-45
VGA	1 x DB-15 female connector
Audio	Mic-in/Line-in/Line-out
Expansion Bus	1 x Mini PCI socket

Mechanical

Mounting Type	Panel-mounting or chassis-mounting (Standard VESA)
Tempered Glass	3 mm (P1772-1100-P, P1772-1100-C only)
Construction	Steel (w/ aluminum bezel for panel-mounting type)
Dimension (W x D x H)	Chassis-mounting type: 405 x 75 x 332 mm (15.94" x 2.95" x 13.07") Panel-mounting type: 440 x 80 x 360 mm (17.32" x 3.15" x 14.17")

Environmental

Operating Temp.	0 ~ 50°C (32 ~ 122°F)
Storage Temp.	-20 ~ 80°C (-4 ~ 176°F)
Operating Humidity	10 ~ 95% RH @40°C (non-condensing)
Vibration	5~500Hz, 1Grms

Ordering Information

P1772-1100-P/CM550	17" panel-mounting panel PC with tempered glass, Intel® CM550 2.0GHz CPU, 1GB DDR2 SDRAM
P1772-1200-P/CM550	17" panel-mounting panel PC with resistive touch screen, Intel® CM550 2.0GHz CPU, 1GB DDR2 SDRAM
P1772-1100-C/CM550	17" chassis-mounting panel PC with tempered glass, Intel® CM550 2.0GHz CPU, 1GB DDR2 SDRAM
P1772-1200-C/CM550	17" chassis-mounting panel PC with resistive touch screen, Intel® CM550 2.0GHz CPU, 1GB DDR2 SDRAM
PAC-P120W	120W AC/DC adapter kit

All specifications are subject to change without notice.

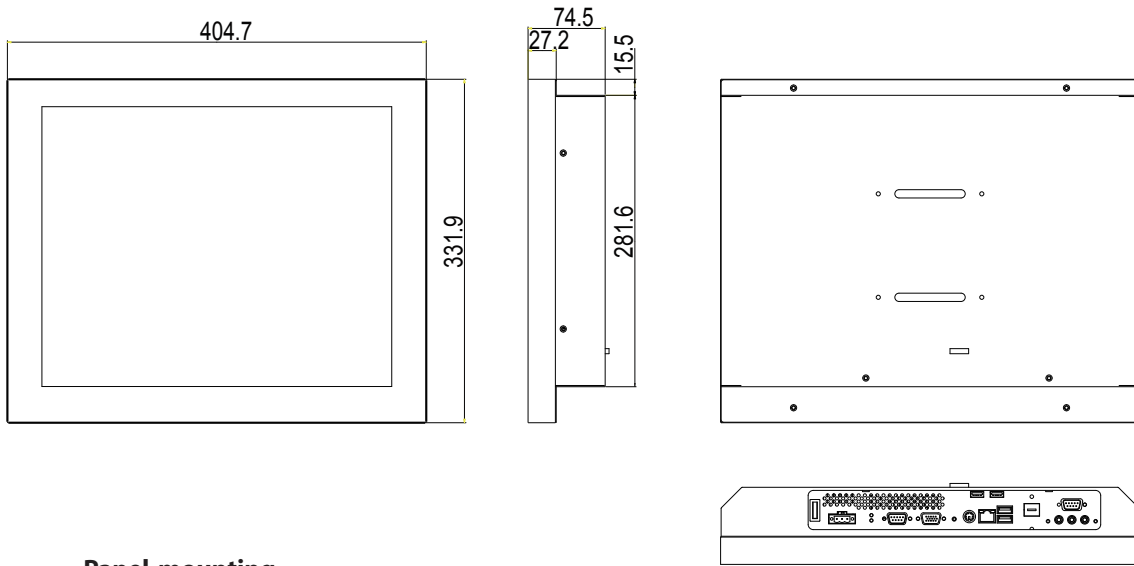


P1772

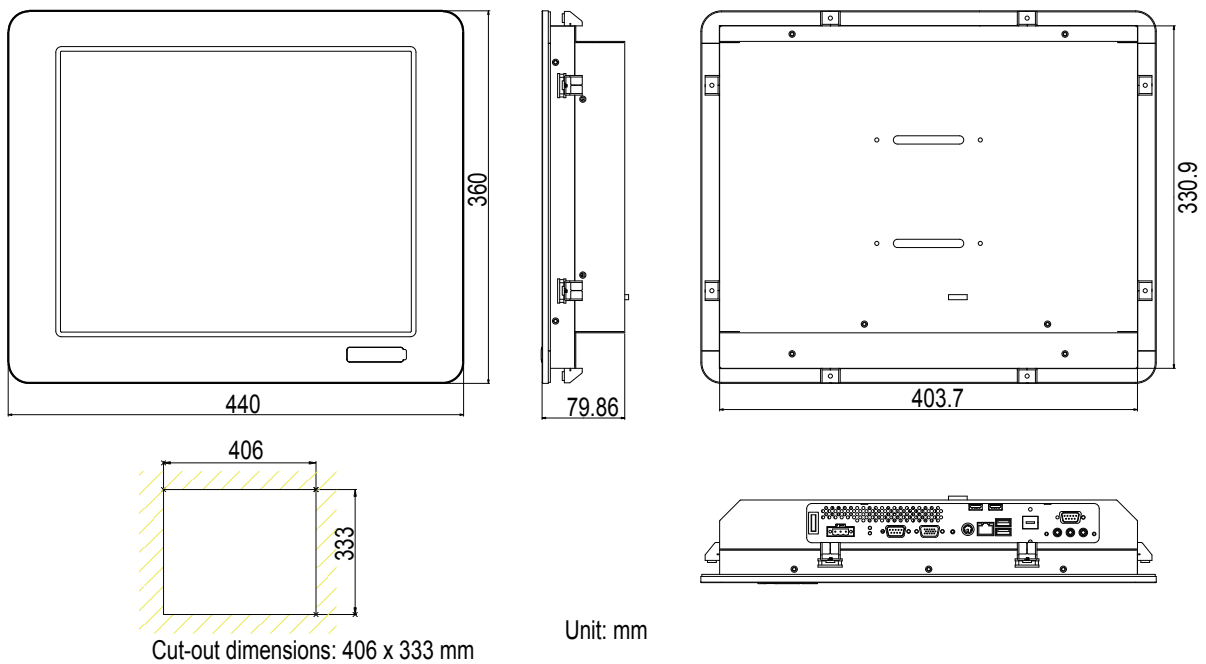
17" Intel® Celeron® M 550 Heavy-duty Panel PC

Dimensions

Chassis-mounting



Panel-mounting



Cut-out dimensions: 406 x 333 mm

Unit: mm

Computer on Module

Compact Board

Slot Board

Industrial Motherboard

Wide Temperature

SBC Daughterboard Power Converter Mounting Kit

Rugged Tablet PC

Medical PC

Industrial Panel PC/Monitor

Box PC

Industrial Chassis /Backplane/ Power supply