



P1273

12.1" Fanless Intel® Atom™ N270 Heavy-duty Panel PC

Chassis-mounting

Panel-mounting



Features

- Soldered Onboard Intel® Atom™ N270 CPU
- 12.1" 800 x 600 SVGA Color TFT LCD Display
- Optional Chassis or Panel Mounting
- Optional Resistive Touch Screen or Tempered Glass
- Multiple Expansion (3 x USB, 1 x Mini PCI, 1 x CF)
- One Front Bezel Accessible USB Port with Cap
- Compact Design
- Passive Cooling System (Fanless)

System

CPU	Soldered onboard Intel® Atom™ N270 1.6GHz CPU with 533MHz FSB
Memory	1 x 200-pin DDR2 SO-DIMM Socket up to 2GB at 400/533MHz
Chipset	Intel® 945GSE + ICH7M
LAN	2 x Realtek RTL8111C 10/100/1000Base-T
Watchdog Timer	1~255 levels reset

Storage

HDD/Type	1 x 2.5" drive bay for IDE or SATA HDD/SSD
Flash Disk	1 x CompactFlash Type II Socket

LCD Display

Size/Type	12.1" TFT LCD
Resolution	800 x 600, SVGA
Pixel Pitch	0.3075 x 0.3075 mm
Max. Colors	262K (18-bit)
Luminance	250 cd/m ²

Touch Screen

Type	8-wire, Analog Resistive (P1273-1200-P/P1273-1200-C only)
Resolution	Continuous
Light Transparency	80%
Interface	USB Interface

Power

Requirement	DC 10 ~ 30V
Consumption	2.56A/12V

I/O

Serial Port	2 x RS-232 ports
USB Port	Front: 1 x USB 2.0 port (for panel-mounting type only) Bottom: 2 x USB 2.0 ports
KB/MS	1 x 6-pin Mini-DIN connector for Keyboard and Mouse (PS/2 standard via Y-cable)
LAN	2 x RJ-45
VGA	1 x DB-15 female connector
Audio	Mic-in/Line-in/Line-out
Expansion Bus	1 x Mini PCI socket

Mechanical

Mounting Type	Panel-mounting or chassis-mounting (Standard VESA)
Tempered Glass	3 mm (P1273-1100-P, P1273-1100-C only)
Construction	Steel (w/ aluminum bezel for panel-mounting type)
Dimension (W x D x H)	Chassis-mounting type: 319 x 65 x 249 mm (12.56" x 2.56" x 9.8") Panel-mounting type: 326 x 65 x 259 mm (12.83" x 2.56" x 10.2")

Environmental

Operating Temp.	0 ~ 50°C (32 ~ 122°F)
Storage Temp.	-20 ~ 80°C (-4 ~ 176°F)
Operating Humidity	10 ~ 95% RH @40°C (non-condensing)
Vibration	5~500Hz, 1Grms

Ordering Information

P1273-1100-P	12.1" panel-mounting panel PC with tempered glass, Intel® Atom™ N270 CPU, 1GB DDR2 SDRAM
P1273-1200-P	12.1" panel-mounting panel PC with resistive touch screen, Intel® Atom™ N270 CPU, 1GB DDR2 SDRAM
P1273-1100-C	12.1" chassis-mounting panel PC with tempered glass, Intel® Atom™ N270 CPU, 1GB DDR2 SDRAM
P1273-1200-C	12.1" chassis-mounting panel PC with resistive touch screen, Intel® Atom™ N270 CPU, 1GB DDR2 SDRAM
PAC-P065W	65W AC/DC adapter kit

All specifications are subject to change without notice.

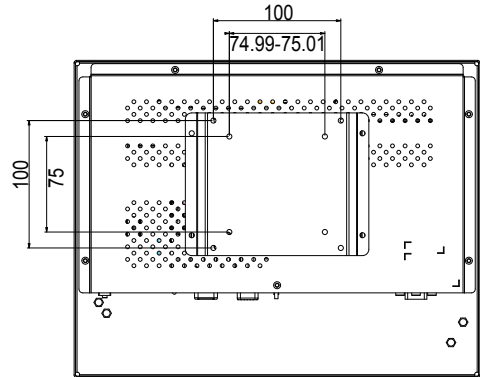
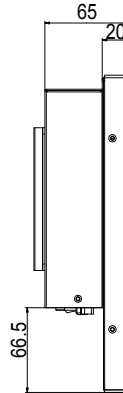
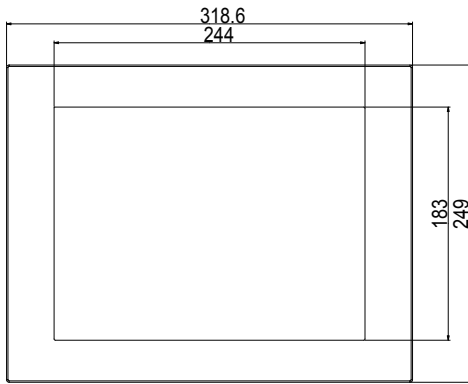
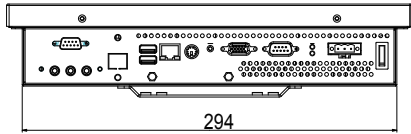


P1273

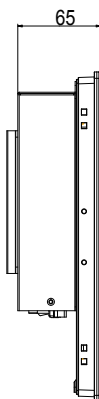
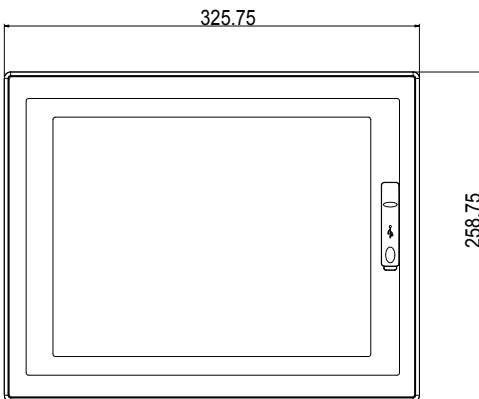
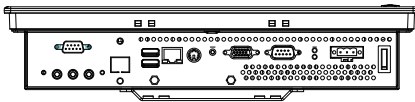
12.1" Fanless Intel® Atom™ N270 Heavy-duty Panel PC

Dimensions

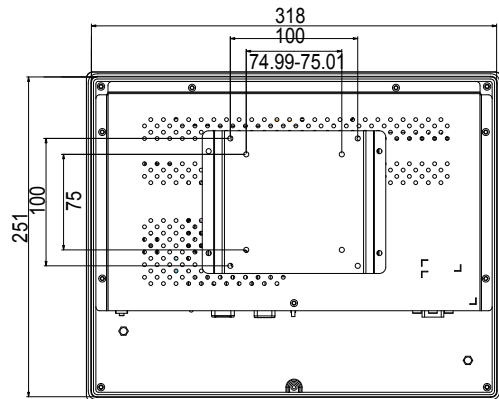
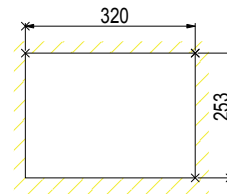
Chassis-mounting



Panel-mounting



Cut-out dimensions: 320 x 253 mm



Unit: mm

All specifications are subject to change without notice.

Computer on Module

Compact Board

Slot Board

Industrial Motherboard

Wide Temperature

SBC Daughterboard Power Converter Mounting kit

Rugged Tablet PC

Medical PC

Industrial Panel PC/Monitor

Box PC

Industrial Chassis /Backplane/ Power supply