



# P1271

12.1" Intel® Celeron® M 440 Heavy-duty Panel PC

Chassis-mounting

Panel-mounting



## Features

- Intel® Celeron® M 440 1.86GHz CPU
- 12.1" 800 x 600 SVGA Color TFT LCD Display
- Optional Chassis or Panel Mounting
- Optional Resistive Touch Screen or Tempered Glass
- Multiple Expansion (5 x USB, 1 x Mini PCI, 1 x CF)
- One Front Bezel Accessible USB Port with Cap
- Compact Design

## System

<b>CPU</b>	Support Intel® Celeron® M 440 1.86GHz CPU
<b>Memory</b>	1 x 200-pin DDR2 SO-DIMM Socket up to 2GB at 400/533MHz
<b>Chipset</b>	Intel® 945GME + ICH7M
<b>LAN</b>	1 x Realtek RTL8111B 10/100/1000Base-T
<b>Watchdog Timer</b>	1~255 levels reset

## Storage

<b>HDD/Type</b>	1 x 2.5" drive bay for IDE or SATA HDD/SSD
<b>Flash Disk</b>	1 x CompactFlash Type II Socket

## LCD Display

<b>Size/Type</b>	12.1" TFT LCD
<b>Resolution</b>	800 x 600, SVGA
<b>Pixel Pitch</b>	0.3075 x 0.3075 mm
<b>Max. Colors</b>	16M (24-bit)
<b>Luminance</b>	250 cd/m <sup>2</sup>

## Touch Screen

<b>Type</b>	8-wire, Analog Resistive (P1271-1200-P / P1271-1200-C only)
<b>Resolution</b>	Continuous
<b>Light Transparency</b>	80%
<b>Interface</b>	USB Interface

## Power

<b>Requirement</b>	DC 10 ~ 30V
<b>Consumption</b>	4.52A/12V

## I/O

<b>Serial Port</b>	2 x RS-232 ports
<b>USB Port</b>	Front: 1 x USB 2.0 port (for panel-mounting type only) Bottom: 4 x USB 2.0 ports
<b>KB/MS</b>	1 x 6-pin Mini-DIN connector for Keyboard and Mouse (PS/2 standard via Y-cable)
<b>LAN</b>	1 x RJ-45
<b>VGA</b>	1 x DB-15 female connector
<b>Audio</b>	Mic-in/Line-in/Line-out
<b>Expansion Bus</b>	1 x Mini PCI socket

## Mechanical

<b>Mounting Type</b>	Panel-mounting or chassis-mounting (Standard VESA)
<b>Tempered Glass</b>	3 mm (P1271-1100-P, P1271-1100-C only)
<b>Construction</b>	Steel (w/ aluminum bezel for panel-mounting type)
<b>Dimension (W x D x H)</b>	Chassis-mounting type: 319 x 65 x 249 mm (12.56" x 2.56" x 9.8") Panel-mounting type: 326 x 65 x 259 mm (12.83" x 2.56" x 10.2")

## Environmental

<b>Operating Temp.</b>	0 ~ 50°C (32 ~ 122°F)
<b>Storage Temp.</b>	-20 ~ 80°C (-4 ~ 176°F)
<b>Operating Humidity</b>	10 ~ 95% RH @40°C (non-condensing)
<b>Vibration</b>	5~500Hz, 1Grms

## Ordering Information

<b>P1271-1100-P/CM440</b>	12.1" panel-mounting panel PC with tempered glass, Intel® CM440 1.86GHz CPU, 1GB DDR2 SDRAM
<b>P1271-1200-P/CM440</b>	12.1" panel-mounting panel PC with resistive touch screen, Intel® CM440 1.86GHz CPU, 1GB DDR2 SDRAM
<b>P1271-1100-C/CM440</b>	12.1" chassis-mounting panel PC with tempered glass, Intel® CM440 1.86GHz CPU, 1GB DDR2 SDRAM
<b>P1271-1200-C/CM440</b>	12.1" chassis-mounting panel PC with resistive touch screen, Intel® CM440 1.86GHz CPU, 1GB DDR2 SDRAM
<b>PAC-P065W</b>	65W AC/DC adapter kit

All specifications are subject to change without notice.

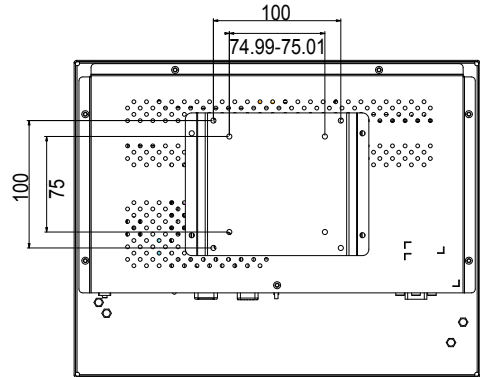
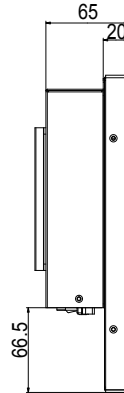
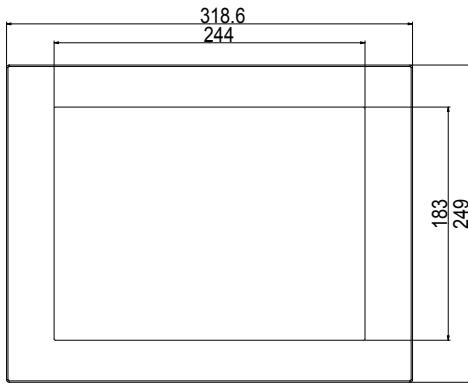
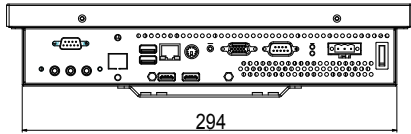


# P1271

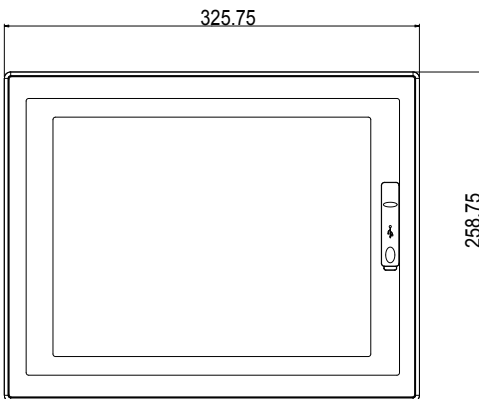
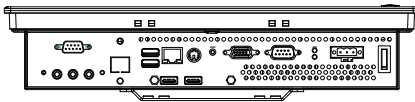
12.1" Intel® Celeron® M 440 Heavy-duty Panel PC

## Dimensions

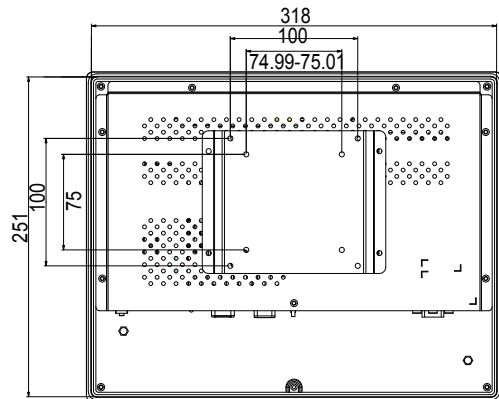
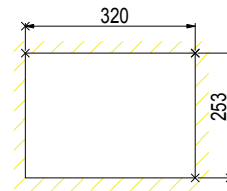
### Chassis-mounting



### Panel-mounting



Cut-out dimensions: 320 x 253 mm



Unit: mm

All specifications are subject to change without notice.

Computer on Module

Compact Board

Slot Board

Industrial Motherboard

Wide Temperature

SBC Daughterboard Power Converter Mounting kit

Rugged Tablet PC

Medical PC

Industrial Panel PC/Monitor

Box PC

Industrial Chassis /Backplane/ Power supply