



# P1270

12.1" Intel® Celeron® M 1.0GHz Heavy-duty Panel PC

Chassis-mounting

Panel-mounting



## Features

- Soldered Onboard Intel® Celeron® M CPU
- 12.1" 800 x 600 SVGA Color TFT LCD Display
- Optional Chassis or Panel Mounting
- Optional Resistive Touch Screen or Tempered Glass
- Multiple Expansion (5 x USB, 1 x Mini PCI, 1 x CF)
- One Front Bezel Accessible USB Port with Cap
- Compact Design

## System

<b>CPU</b>	Soldered onboard Intel® Celeron® M 1.0GHz zero cache processor with 400MHz FSB
<b>Memory</b>	1 x 200-pin DDR SO-DIMM Socket up to 1GB at 200/266MHz
<b>Chipset</b>	Intel® 852GM + ICH4
<b>LAN</b>	1 x Intel® 82562ET 10/100Base-T
<b>Watchdog Timer</b>	1~255 levels reset

## Storage

<b>HDD/Type</b>	1 x 2.5" drive bay for IDE HDD/SSD
<b>Flash Disk</b>	1 x CompactFlash Type II Socket

## LCD Display

<b>Size/Type</b>	12.1" TFT LCD
<b>Resolution</b>	800 x 600, SVGA
<b>Pixel Pitch</b>	0.3075 x 0.3075 mm
<b>Max. Colors</b>	16M (24-bit)
<b>Luminance</b>	250 cd/m <sup>2</sup>

## Touch Screen

<b>Type</b>	8-wire, Analog Resistive (P1270-1200-P / P1270-1200-C only)
<b>Resolution</b>	Continuous
<b>Light Transparency</b>	80%
<b>Interface</b>	USB Interface

## Power

<b>Requirement</b>	DC 10 ~ 30V
<b>Consumption</b>	2.56A/12V

## I/O

<b>Serial Port</b>	2 x RS-232 ports
<b>USB Port</b>	Front: 1 x USB 2.0 port (for panel-mounting type only) Bottom: 4 x USB 2.0 ports
<b>KB/MS</b>	1 x 6-pin Mini-DIN connector for Keyboard and Mouse (PS/2 standard via Y-cable)
<b>LAN</b>	1 x RJ-45
<b>VGA</b>	1 x DB-15 female connector
<b>Audio</b>	Mic-in/Line-in/Line-out
<b>Expansion Bus</b>	1 x Mini PCI socket

## Mechanical

<b>Mounting Type</b>	Panel-mounting or chassis-mounting (Standard VESA)
<b>Tempered Glass</b>	3 mm (P1270-1100-P, P1270-1100-C only)
<b>Construction</b>	Steel (w/ aluminum bezel for panel-mounting type)
<b>Dimension (W x D x H)</b>	Chassis-mounting type: 319 x 65 x 249 mm (12.56" x 2.56" x 9.8") Panel-mounting type: 326 x 65 x 259 mm (12.83" x 2.56" x 10.2")

## Environmental

<b>Operating Temp.</b>	0 ~ 50°C (32 ~ 122°F)
<b>Storage Temp.</b>	-20 ~ 80°C (-4 ~ 176°F)
<b>Operating Humidity</b>	10 ~ 95% RH @40°C (non-condensing)
<b>Vibration</b>	5~500Hz, 1Grms

## Ordering Information

<b>P1270-1100-P</b>	12.1" panel-mounting panel PC with tempered glass, Intel® Celeron® M 1.0GHz CPU, 1GB DDR SDRAM
<b>P1270-1200-P</b>	12.1" panel-mounting panel PC with resistive touch screen, Intel® Celeron® M 1.0GHz CPU, 1GB DDR SDRAM
<b>P1270-1100-C</b>	12.1" chassis-mounting panel PC with tempered glass, Intel® Celeron® M 1.0GHz CPU, 1GB DDR SDRAM
<b>P1270-1200-C</b>	12.1" chassis-mounting panel PC with resistive touch screen, Intel® Celeron® M 1.0GHz CPU, 1GB DDR SDRAM
<b>PAC-P065W</b>	65W AC/DC adapter kit

All specifications are subject to change without notice.

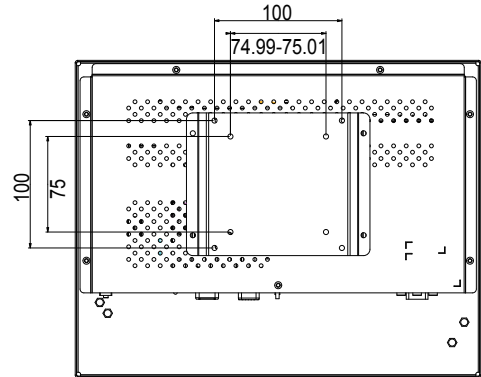
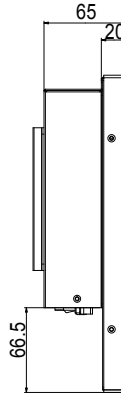
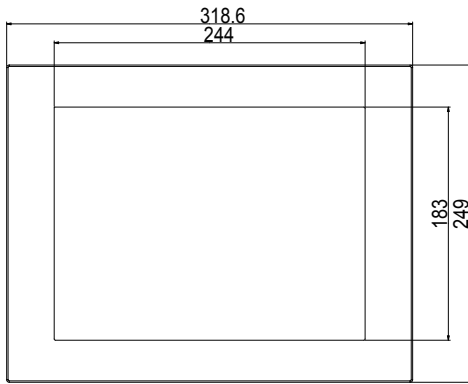
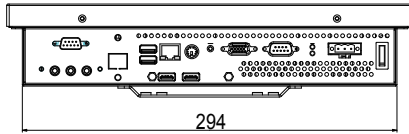


# P1270

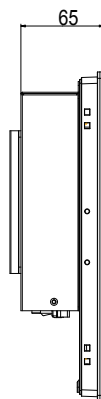
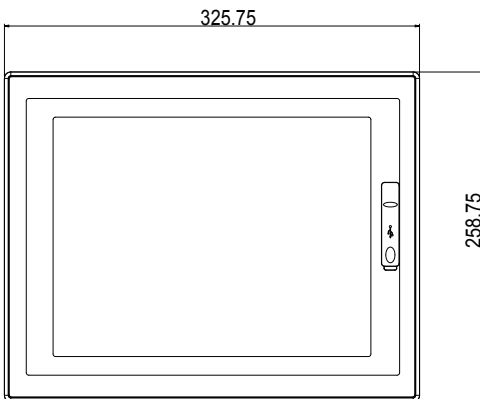
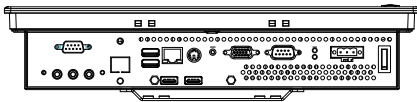
12.1" Intel® Celeron® M 1.0GHz Heavy-duty Panel PC

## Dimensions

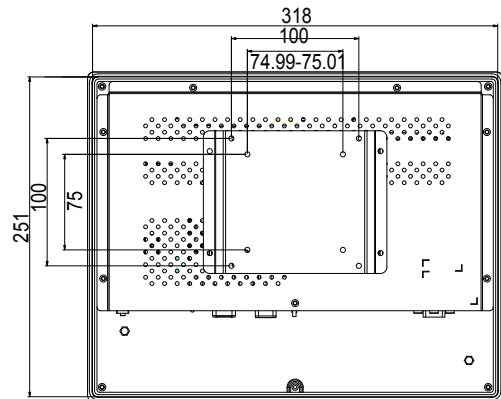
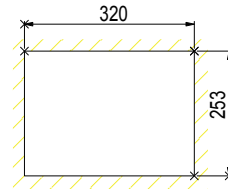
### Chassis-mounting



### Panel-mounting



Cut-out dimensions: 320 x 253 mm



Unit: mm